



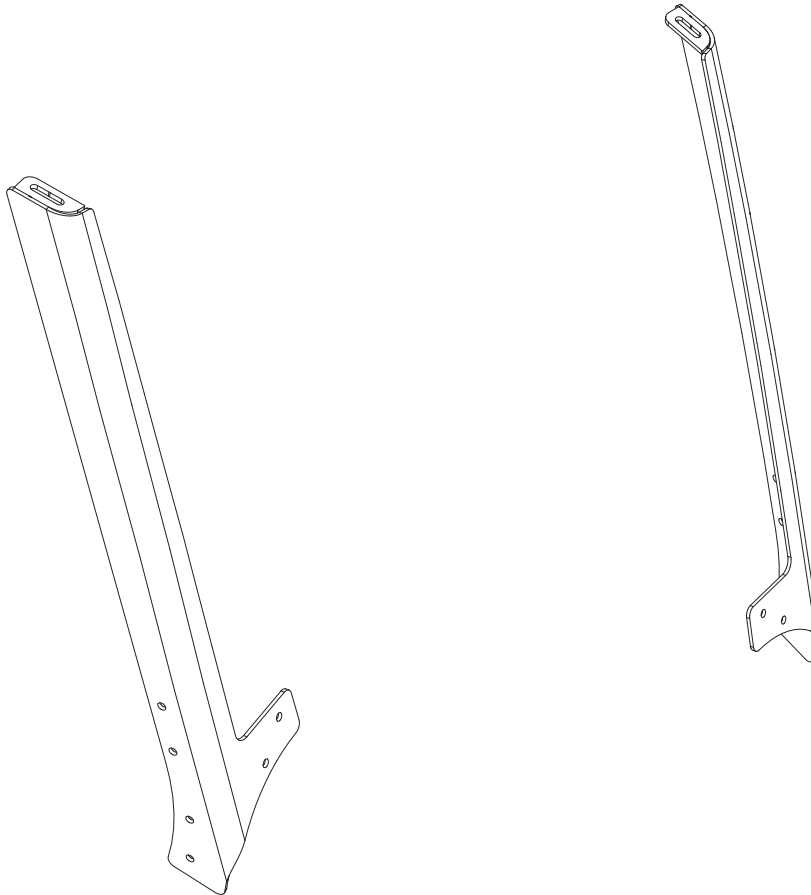
FRONT RUNNER
VEHICLE OUTFITTERS

FRONT SUPPORT ARMS

JEEP WRANGLER JKU 4 DOOR (2007-CURRENT)

ENG

FAJK003



READ ME !

Thank you for purchasing Front Runner Jeep Wrangler JKU 4 door Front Support Arms .

Before you start, take a moment to familiarize yourself with the Fitting Instructions and the components received.

Refer to Page 2 for a list of all the components, quantities and tools required.

NOTE: Front Runner will not be responsible for any damage caused by the failure to install the product according to these instructions.

Please call us if you have any questions about the installation of this product.

IMPORTANT WARNING!

FRONT RUNNER CAN NOT RECOMMEND A MAXIMUM LOAD CARRYING CAPACITY. PLEASE REFER TO YOUR VEHICLE MANUFACTURER'S RECOMMENDATIONS. IT IS CRITICAL THAT ALL FRONT RUNNER PRODUCTS BE PROPERLY AND SECURELY ASSEMBLED AND ATTACHED TO YOUR VEHICLE. IMPROPER ATTACHMENT COULD RESULT IN AN AUTOMOBILE ACCIDENT, AND COULD CAUSE SERIOUS BODILY INJURY OR DEATH. YOU ARE RESPONSIBLE FOR ASSEMBLING AND SECURING ALL FRONT RUNNER PRODUCTS TO YOUR VEHICLE. CHECKING THE ATTACHMENTS PRIOR TO USE, AND PERIODICALLY INSPECTING THE PRODUCTS FOR ADJUSTMENT, WEAR AND DAMAGE. THEREFORE YOU MUST READ AND UNDERSTAND ALL OF THE INSTRUCTIONS AND PRECAUTIONS SUPPLIED WITH YOUR FRONT RUNNER PRODUCT PRIOR TO INSTALLATION OR USE. IF YOU DO NOT UNDERSTAND ALL OF THE INSTRUCTIONS AND CAUTIONS, OR IF YOU HAVE NO MECHANICAL EXPERIENCE AND ARE NOT THOROUGHLY FAMILIAR WITH THE INSTALLATION PROCEDURES, YOU SHOULD HAVE THE PRODUCT INSTALLED BY A PROFESSIONAL INSTALLER OR OTHER QUALIFIED PERSONNEL.

1

GET ORGANIZED

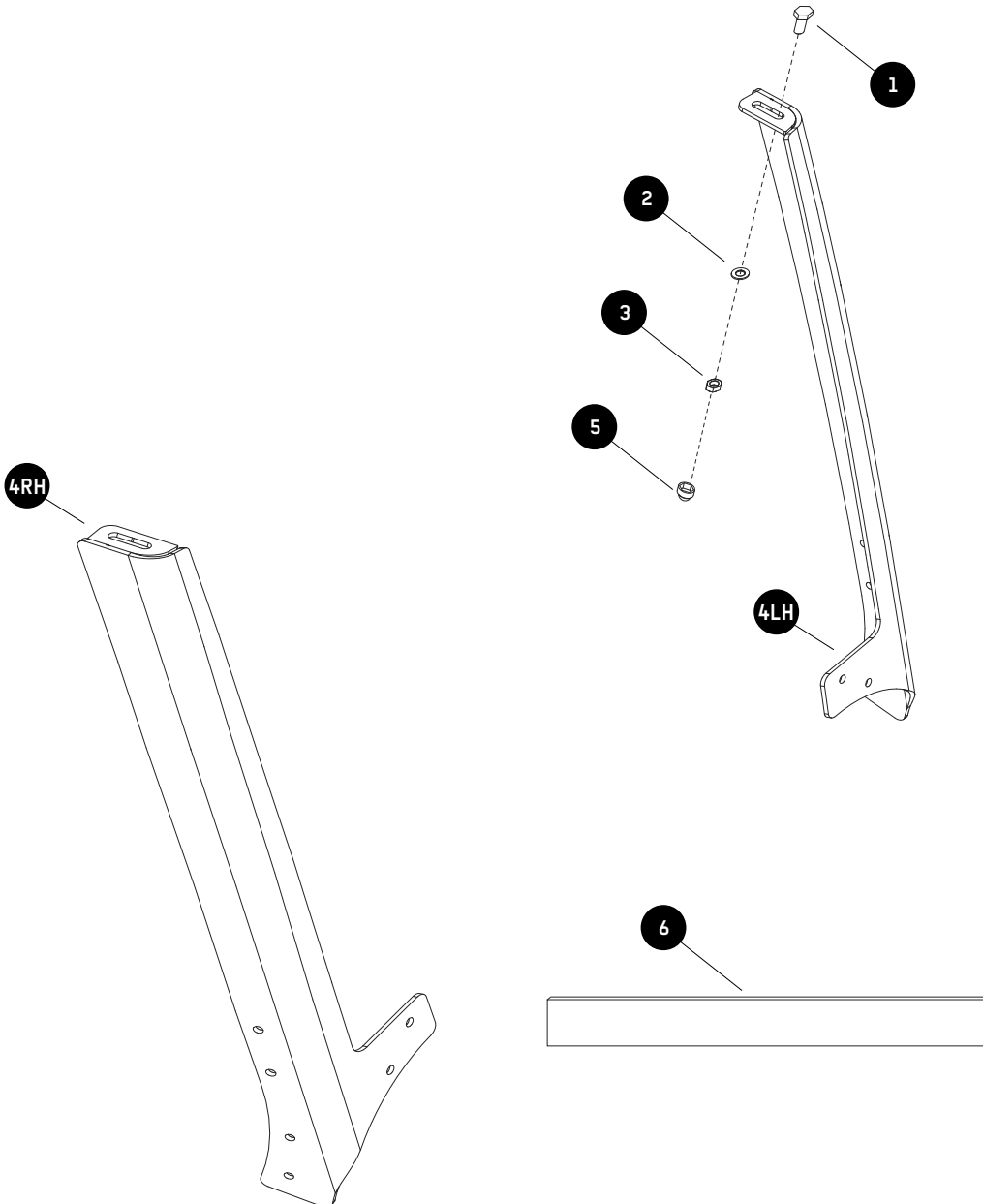
IN THE BOX

1	2 X	M8 x 20 Hex Bolt
2	2 X	M8 x 19 x 2SS Flat Washer
3	2 X	M8 Nyloc Nut
4	2 X	Front Support Arm - 1Left + 1Right
5	2 X	M8 Nut Cap
6	1 X	Rubber Strip 600mm

TOOLS NEEDED

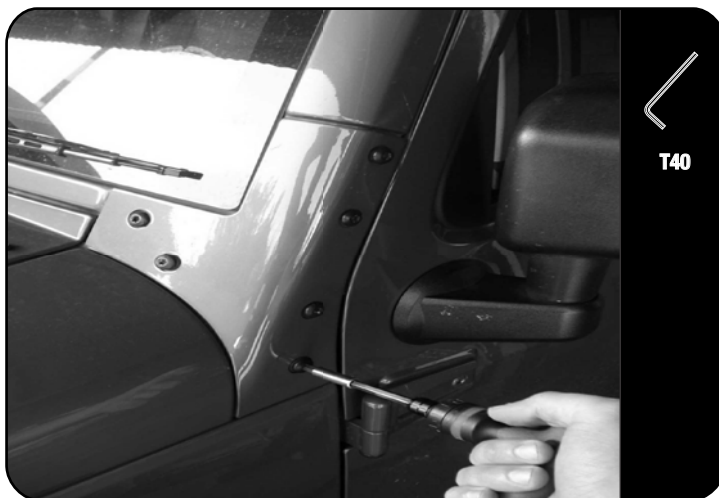


FIGURE 1.1



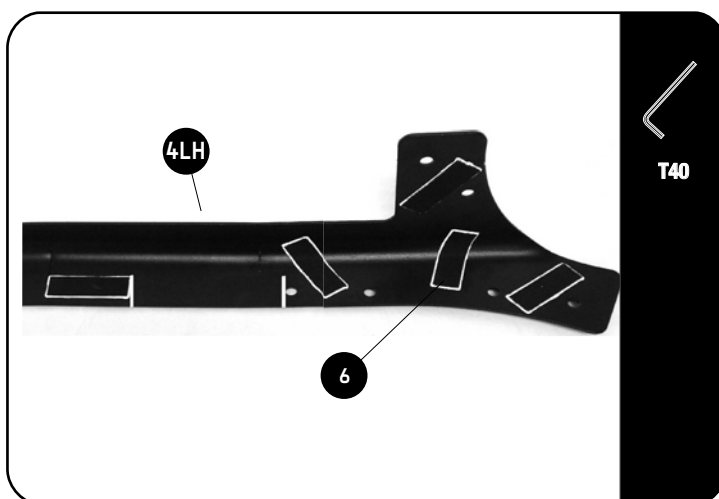
2 PREP FOR RACK INSTALL (FULL RACK)

2.1



Using a T40 Torx Wrench, remove the six bolts holding the Window Corner Plates in place. Be careful not to let the plate fall when removing the last bolt as this may result in damage to the paintwork of the part or your vehicle.

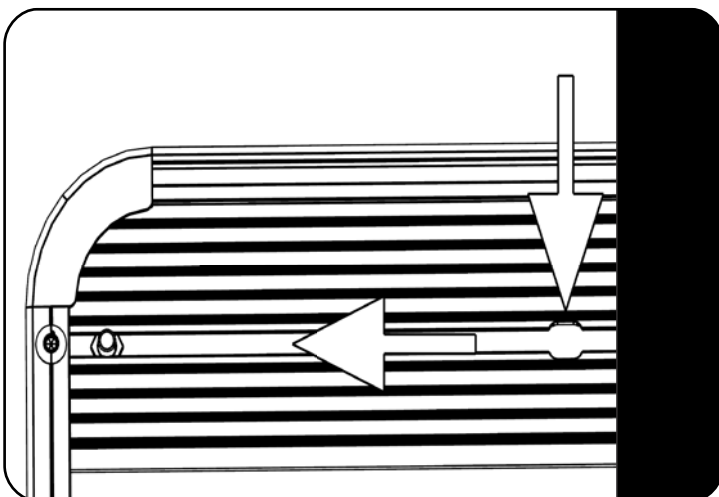
2.2



Before removing the paper backing from the Rubber Strip (Item 6), cut five pieces of 60mm long and apply it to the inside of each Front Support Arm as shown.

Tighten the Front Support Arms (Item 4LH & 4RH) over the window corner plates using the original bolts.

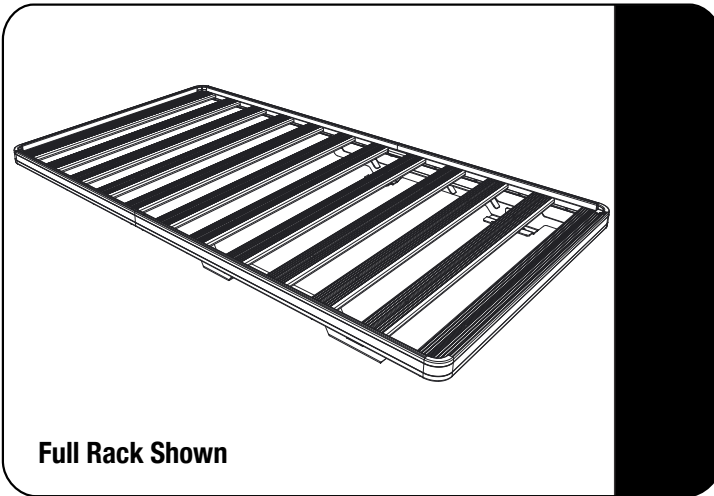
2.3



If not already assembled, assemble your Tray as per the Universal Tray Assembly Instructions (Document RRSUNI)

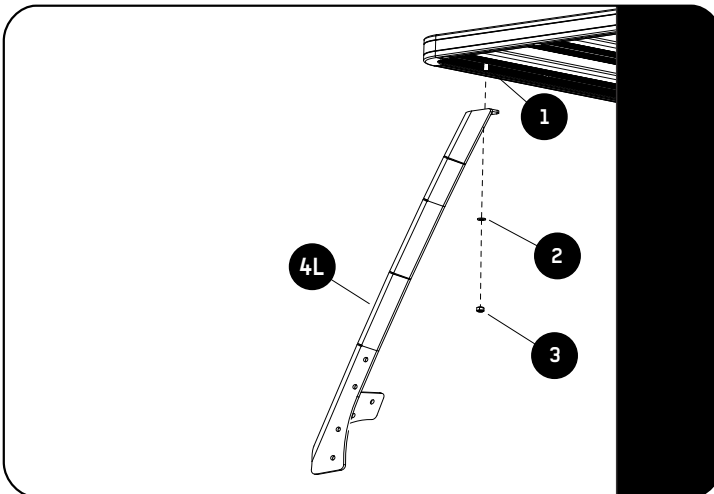


NOTE: Before fitting the Wind Deflector, insert two M8 x 16 Hex Bolts (Item 16 from FAJK006) or (Item 1 from FAJK003) into the first slat (Combined Slat), using the Machined slots. Slide a bolt to each of the outer corners.

2**MOUNT YOUR TRAY****2.4****Full Rack Shown**

With the help of a friend, flip the Tray end over end so that it is in the upright position. (The Tray is flipped end over end so that bolts and brackets do not slide left and right).

With one of you on either side of the Tray, lift the Tray and walk it into position above the vehicle, approaching from either the front or the rear of the vehicle.

2.5

Line up the Front Support Arms (Items 4L & 4R) with the two M8 x 16 Hex Bolts (Item 1) either side of the wind deflector and hand tighten the front of the Tray to the arms using M8 Nyloc Nuts and M8 x 19 x 2SS Flat Washers (Items 2 & 3).

3 COMPLETION

3.1



Congratulations! You did it. Take a step back and admire your work!

4 INSTALL OTHER VEHICLE AND RACK ACCESSORIES

Now's the time to visit your favorite Front Runner Dealer in person or online.

Be sure to tag us. We love to see our gear in action! #FrontRunnerOutfitters #BornToRoam

Share your adventures on: 